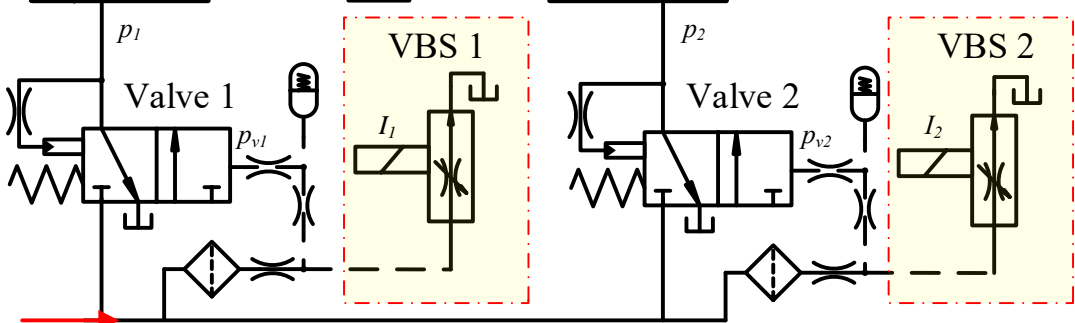
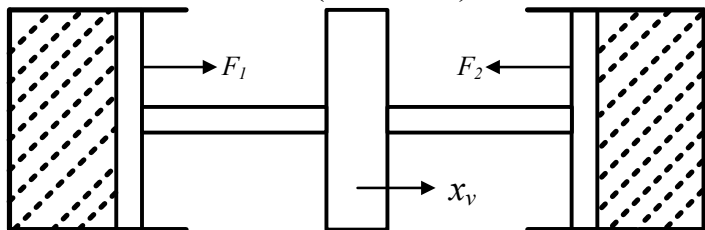


Chamber 1 Fork(to Sleeve) Chamber 2



Main pressure