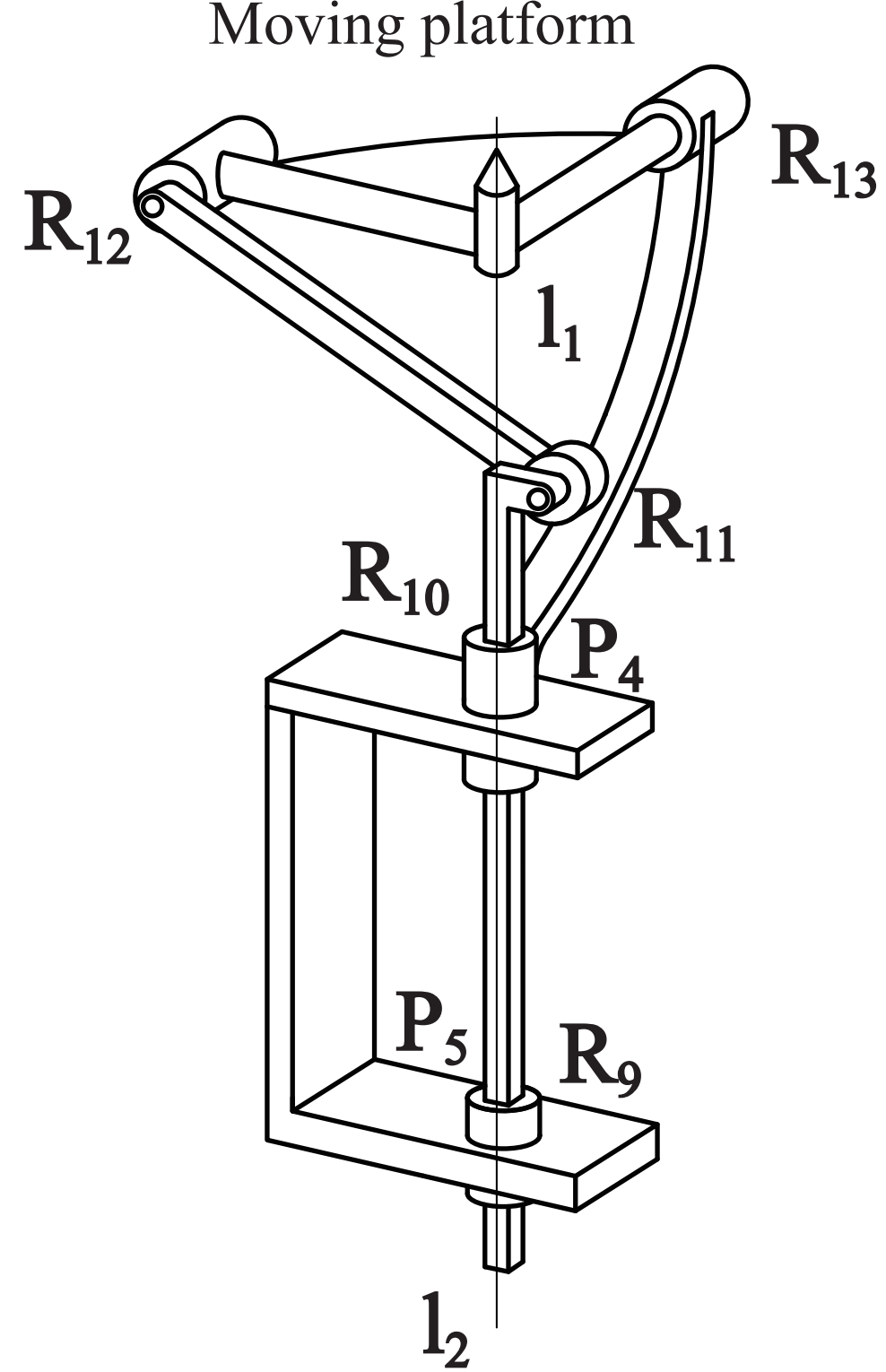
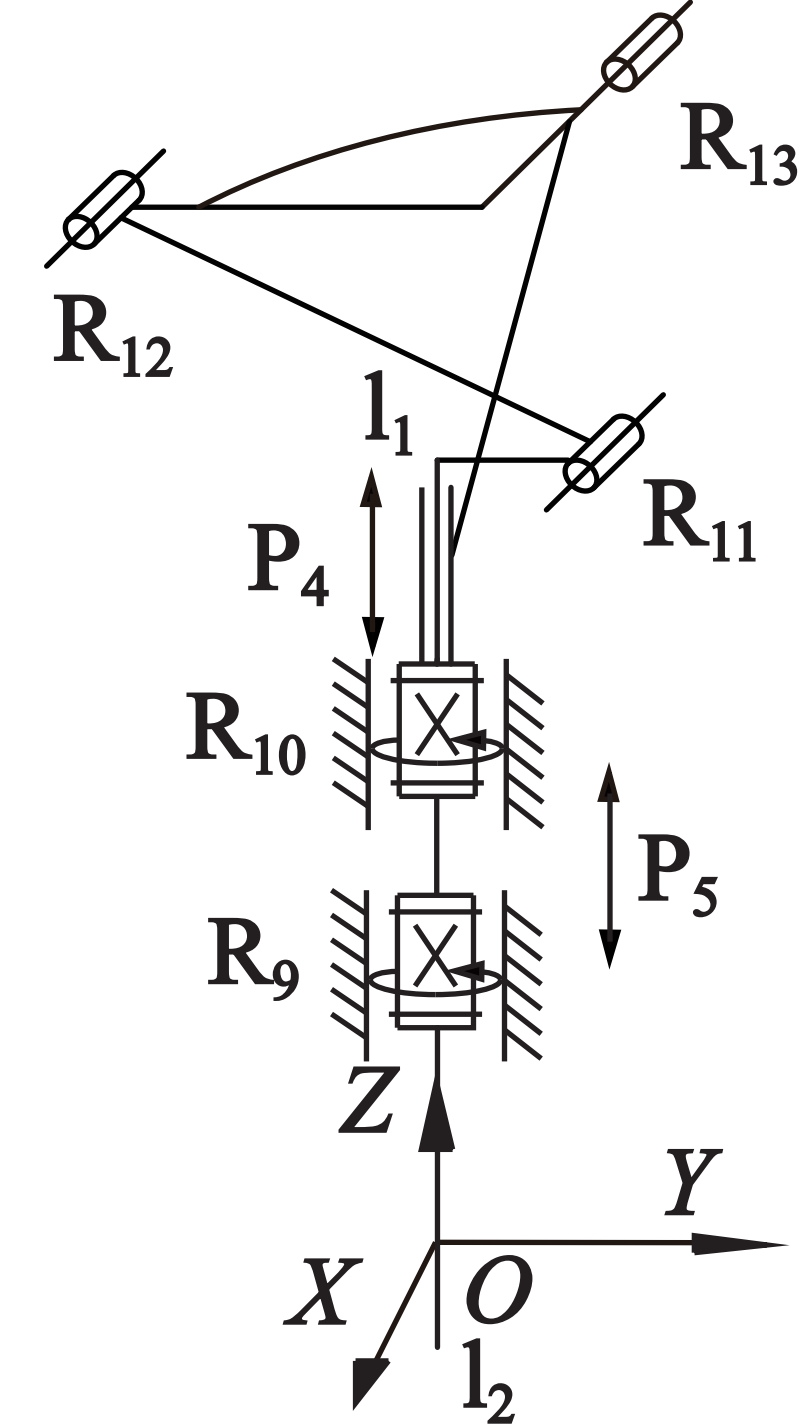


(a) CAD model



(b) Equivalent architecture



(c) The sketch of limbs and coordinate frame